

£1.00

40TH
ANNIVERSARY
2022



Trackwork and Accessories

2021, v2

Station Studio, 6 Summerleys Road, Princes Risborough, Bucks, HP27 9DT

Tel: 01844 345158

Email: sales@grsuk.com Web: www.grsuk.com

Gauge 3 parts, 1:22.6 Scale, 13.5mm = 1 foot

Locomotive Parts

Key (?) -Qty, WM-Whitemetal, R-Resin, S-Steel, B-Brass, C-Copper, NS-Nickel Silver, W-Wood

Brake Hangers including Shoes

CM1547	LNER N5 - 6 off R
CM256	SRO2/Mid 2F Tender (6) R
CM257	GWR 8750 (6) R
CM2232	LMS 3F (6) R
CM1523	2F, 4F (6) R

Sprung Buffers

PDG2202	BR DMU (4) WM/S
PDG2204	SR/LNE (4) B/S
PDG2205	GW Taper (4) B/S
PDG2206	GW Parallel (4) B/S
PDG2220	GE Parallel (4) B/S
PDG2221	Peckett Ind (4) B/S

Cab Backhead Fittings - Set

AM2263	GW2021 Pannier R/WM
AM2282	Mid 1F/2F R/WM
AM2285	LMS 4F R/WM
AM2319	GW Manor R/WM
AM2258	GW Dean Goods R/WM

Chimneys

SL10	GW Manor C
AM2283	LMS 4F R
AM2210	SR Terrier WM
AM2220	SR '02' WM
AM2268	GW 14x xR
CM2230	LMS 3F R
AM2318	Peckett Ind WM
DM2205	Austerity B
SSG2274	Mid 1F B
TBA	SR 'N' B
FG2203	GW2021 Pannier B
CM250	GW 87XX Pannier R
AM2269	Dean Goods/57XX WM

Clacks in Pairs

AM2224	SR '02' WM
AM2218	SR Terrier WM
AM2271	Mid 1F, 2F WM

Crossheads, Slide Bars and Brackets - Sets

CM1507	A pair for GW 1361 NS
BE030N	A pair for GW Manor, Assembled NS

Cylinders

CM2210	GW Manor, 4 parts R/WM
BE040	GW Manor Drain Cocks (2) B
CM2211	SR N Class, 2 parts R

Domes

AM2211	SR Terrier B
CM2221	SR '02' CI R
AM2267	GWR 1361 WM
CM2284	LMS 4F R
CM2231	LMS 3F R
AM2330	Peckett/Austerity WM
FG2208	Dean Goods/GW 14XX B
FG2206	GW Pannier Flat Base B
SSG2275a	Midland 1F B
TBA	SR N Class R

Injectors, Exhaust Steam Ejectors

BE020	LMS Exhaust Steam Ejector 2 parts LHS B
BE032A	LMS Exhaust Steam Ejector 2 parts RHS B
AM2262	GW Pannier Injector Set of 2 WM
AM206	Austerity Injector Set of 2 WM

Lubricators - Pairs

AM2286	LMS 4F WM
--------	-----------

Pick Ups

FG407	Pick Up Holder(6) P
8313508	Brush Pick Ups 14mm (8)
8313608	Brush Pick Ups 16mm (8)

Reversers

CM2212	GWR Manor R/WM
CM2220	LMS 4F R/WM

Sandboxes

AM2214	SR Terrier (4) WM
SG2225	SR'02' Splasher/Sandbox, pair R
AM2260	GWR Pannier Rectangular pair WM

Gauge 3 parts, 1:22.6 Scale, 13.5mm = 1 foot

Sandboxes (Cont.)

AM2289	GWR 1361, Rectangular pair WM
AM2277	Mid 2F (4) WM
AM2287	LMS 4F (6) WM
AM2300	LNE N5 (4) WM
AM2269A	GW 14XX Front, pair WM
AM2269B	GW 14XX Rear, pair WM

Smokebox Doors & Handles

AM2265	GW 1361 Door & Dart 50mm Dia. WM
AM2276	Mid 1F/2F Door 55mm Dia. WM
AM2301	LNE Door Wheel WM
AM2321	Dean Smoke Box Door 50mm Dia. WM
FG2205	GW Pannier Door & Dart 46m Dia. B
FG2212	GW 14XX Door & Dart 51mm Dia. B

Springs & Springs with Keeper Plates

AM2278	Mid 2F Spring & Keeper Plate (6) B
AM2264	GWR Pannier Spring Leaf & Coil (6) WM
BE019	GW Pannier Keeper Plates (6) B
DM211	GW Manor/DG Spring & Keeper Plate (6) B

Safety Valves & Bonnets

FG2204	GW Pannier Bonnet (turned & polished) B
FG2207	GW 1361 Bonnet (turned & polished) B
FG2210	LMS Ross Pop Safety Valves (2) B
PDG2222	Peckett Safety Valves B
DM200	Mid 1F Bonnet B
AM222	SR '02' Safety Valve Casing WM
DM201	GW Manor Bonnet B
AM2215	SR Terrier Safety Valve Levers (pair) WM

Tank Vents

PDG2207	GW (2) B
AM2213	SR Terrier (2) WM

Tank Fillers

AM2216	SR Terrier (2) WM
AM2226	SR '02' (2) WM
AM2269	GW 14XX (4 Parts) (2) WM
AM2274	Mid 1F/2F (2) WM
AM2266	GW1361 (2 parts) (1) B/WM
DM206	LNE Austerity (1) B

Tool Boxes

CM2215	GW Tender (2) R
AM2261	GW Pannier (2) WM
AM2270	Mid 1F/2F (2) WM

Vacuum Pipe, Steam Pipe Sets

BE350	Vacuum Pipe (2) B
BE351	Steam Heat Pipe (2) B

Whistles

FG2211	LMS 4F B
PDG2208	GW Large & Small Pair B
DM2215	LMS 2F B

Westinghouse Pumps

AM2212	SR Terrier WM
--------	---------------

Tender/Tank Accessories

CM2213	GW Water Scoop - 3 parts R
BE035A	GW BK & Water Scoop - Standards (2) B
BE035B	GW Sandbox Levers (2) B
AM2318	GW Water Gauge (1) WM
BE032A	LMS 3F Water Gauge (1) B
AM2280	Mid 2F Dome (1) WM
AM2281	Mid 2F Vents (2) WM
AM2317	GW Manor Tender vents (2) WM
AM2316	GW axleboxes with springs (6) WM
AM2279	Midland axleboxes with springs (6) WM
AM2325	SR axleboxes with springs (6) WM

GWR Railcar

PDG2200	Air Horns Large/Small Pair B
PDG2201	Cylinder Buffers (4) B/S
HG2252	A Pair of Power Bogies with Castings
SSG2300	Flat Ventilators (12 Large 4 Small) W

BR121 Railcar

CM1711B	A Pair of Power Bogies with Castings
AM2307	Door Bangers (36) WM
AM2306	Door Hinges (60) WM
AM2305	Door Handles T Shape (36) WM
AM2310	Set of Hoses, Connectors, Vac/Air

Gauge 3 parts, 1:22.6 Scale, 13.5mm = 1 foot

Rolling Stock Parts

Key (?) -Qty, WM-Whitemetal, R-Resin, S-Steel, B-Brass, C-Copper, NS-Nickel Silver, W-Wood

LNER Gresley Suburban Coach Parts

SG1658	Chamfered Glazing Pack (2) P
SG1659	Plastic Roof & Fitting Strips P
SG1660	Plastic Floor Pack
PPG216	LNER Battery Boxes (2), Bogie Steps (12) Etch B
AM2322	LNER Ducket (2) W

General Coach Parts

RC1607	GWR 'B' Set Seating (6) P
BE352	Door Handles T Shape (28) B
BE353	Door Handles Lever Tyupe (10) B
SG1115	SR Coach Module 3rd Class P
SG1114	SR Coach Module 1st Class P
SG1103	Coach Seating 1st Class (6) P
SG1104	Coach Seating 3rd Class (4) P
FMG520	Coach Seating Wood 2400mm (4) W
SG1148	SR/LSWRDucket Dble Doors (2) R/P
PPG214	LMS Guards Van Ducket (pair) B/P
SG1157	SR/LSWR Coach Ducket (2) R
SG1149	SR/LSWR Brake Coach End (1) R
CM1606	GW Gas Tank R
AM2313	SR Queen Post with Split Pin (4) WM
DG138	Torpedo Vent Large WM
SG1107	Torpedo Vents (20) P
SG1102	Shell Vents (24) P
PPG201	GW Siphon Strapping & Hinges Etch B
PPG203	Coach Door Vents (14) B

Collett Coach Parts

SKG130	Coach Ends and Corridor Connectors (2) R
SKG131	Pair Battery Boxes + Dynamo R
SKG132	Vacuum Cylinder (2) R/WM
SKG133	Door Handles, Grab Handles, Bangers, Hinges B
SKG134	Screw Couplings Extra Long B
TBA	Luggage Door Grab Handles B



SKG130



SKG132



SKG133



SKG134

Coach Buffers - Sprung, sets of 4

AD2302	GW Buffer, rect Tapered Shank, Rond Head B/WM
PDG2301	SR/LSWR Buffer, Round Head B/S
AM2304	LMS Buffer Round Head WM
DM2206	LNER Coach Buffer, Round Head B

Bogies, Wagon & Coach, pairs

SKG136	GWR Coach 9' Bogies inc. wheels S/WM
DG2080	GW Freight Bogies WM
AM2314	W&U Bogie (wheels extra) WM
AM2315	GW Fishbelly Bogie (wheels extra) B/WM
SLG2317	GW Fishbelly Bogies (inc. Mansell Wheels) B
DM254	Bogie Bolster Stanchion (8) B
AG1659	Gresley Suburban Bogies inc. disc wheellets S/WM

Roofs, Wagon & Coach

SG1482	Collett Coach Roof Modules inc. Channel (1) P
SG1182	SR/LSWR Coach Roof P
SG1480	GW Autotrailer Roof P
SG1885	LMS Brake Van Roof P
SG1886	LNE/BR Brake Van Roof P
SG1821	SR Van Roof P
SG1441	GW Brake Van Roof P
SG1181	GW Siphon G Roof P
SG1125	GW Van Roof P

Wagon Parts

SG1445	LMS Corrugated Van Ends (2) P
DG2096	GW Churchward Brake Hangers & Lever WM
DG147	Vacuum Cylinder Kit for 'Fitted' Wagons WM
SG1132	Tarpaulin Rail Fittings (pair) P
SG1133	Tarpaulin Rail Steel Wire S
CM251	Brake Shoes RCH/Morton (4) R
CM252	Brake Shoes LMS Brake Van (8) R
CM253	Brake Shoes LMS/LNE/BR Brake Van (8) R
DG2097	Axlebox RCH, Spring & W Iron (4) WM
DG2091	Couplings 3 Link (pair) WM
DG2092	Couplings Instanter (pair) WM
DG2093	Couplings Screw (pair) WM
DG2094	Vacuum Hoses High Level (pair) WM
DG2095	Vacuum Hoses Low Lever (pair) WM
BE048	Non Working Screw Coupling (pair) B
BE048A	Non Working Screw Coupling (5 pairs) B

Wagon Buffers - sets of 4

DG2088	GW Wagon Buffer Early Type WM
DG2089	GW Self Contained Buffer, Sprung WM
DG2090	RCH Wagon Buffer, Sprung WM
DG2090L	RCH Wagon Buffer, Sprung Large Head WM

Narrow Gauge - General Parts

AM10 Centre Buffer (Screwfixing)

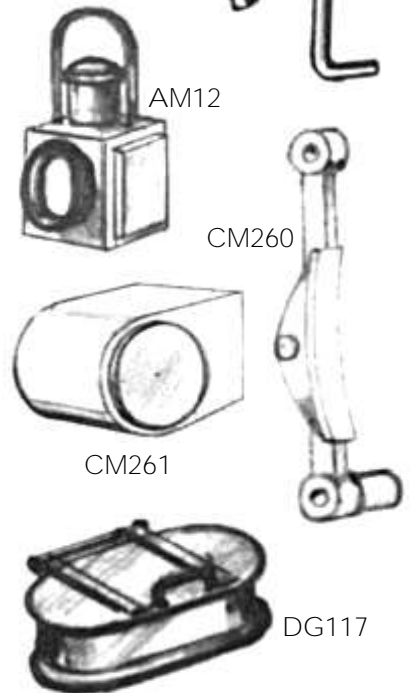
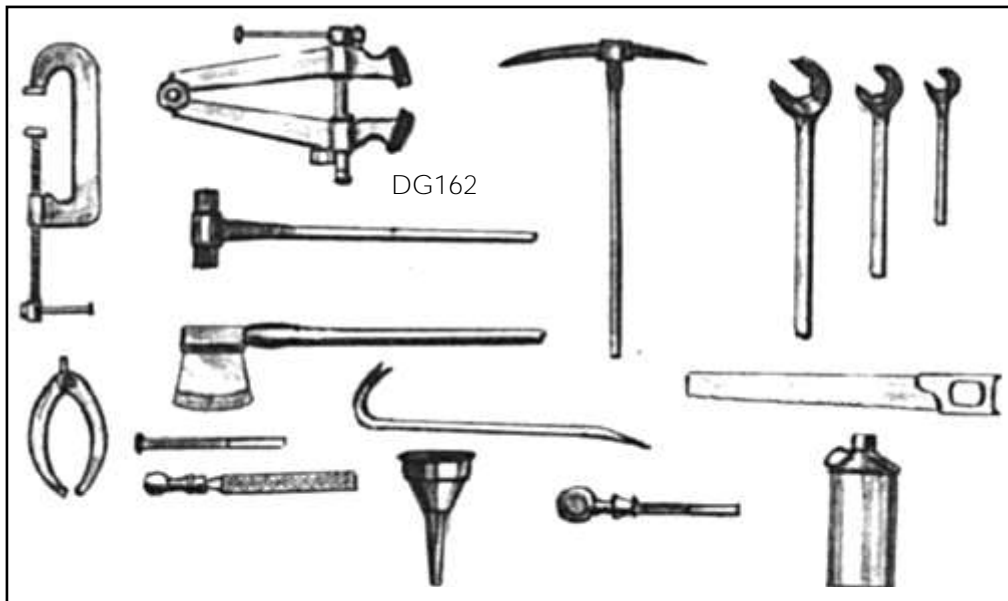
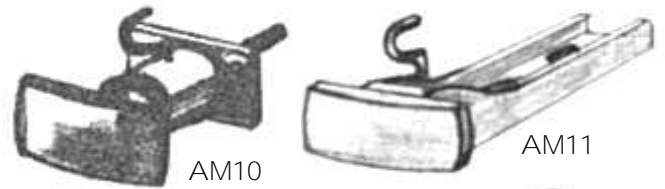
AM11 Centre Buffer (LGB coupling bar)

DG136 Vacuum Hoses (pair)

DG143 W&L Safety chains (4)

DG176 Buckets (pair)

DG162 Engine Shed Detailing Pack



AM12 Loco Lamp (accepts LGB lamp holder)

CM260 Brake Shoes, GRS G125/G126 Chassis, resin (6)

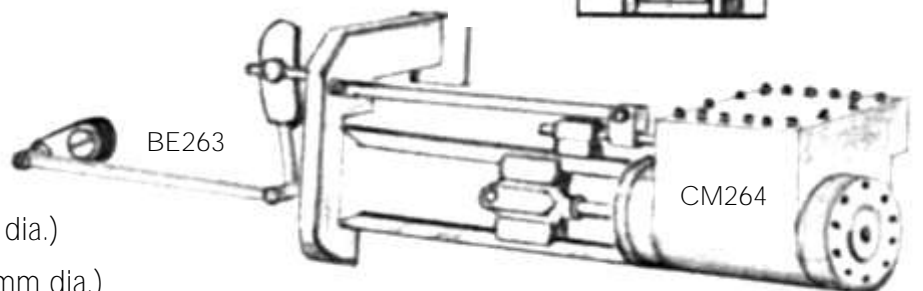
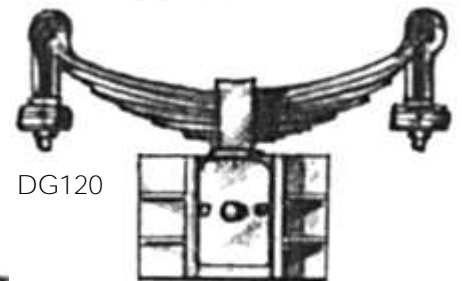
CM261 Cylinders, GRS G125/G126 Chassis, resin/wm (2)

BE262 Crosshead, cylinder end for G125 chassis

BE263 Valve gear bracket, Slide Bars, Crosshead & Piston, return crank, eccentric rod and expansion link (N/S valve gear for M/Wardle)

DG117 Tender water tank filler

DG120 Tender axleguards (4)



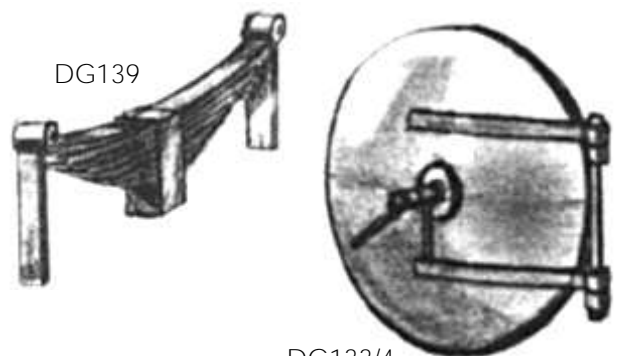
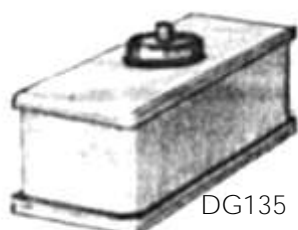
DG132 Dome for saddle tank (26mm dia.)

DG133 Smokebox door and dart (33mm dia.)

DG134 Smokebox door and dart (38mm dia.)

DG135 Rectangular sandboxes (pr.)

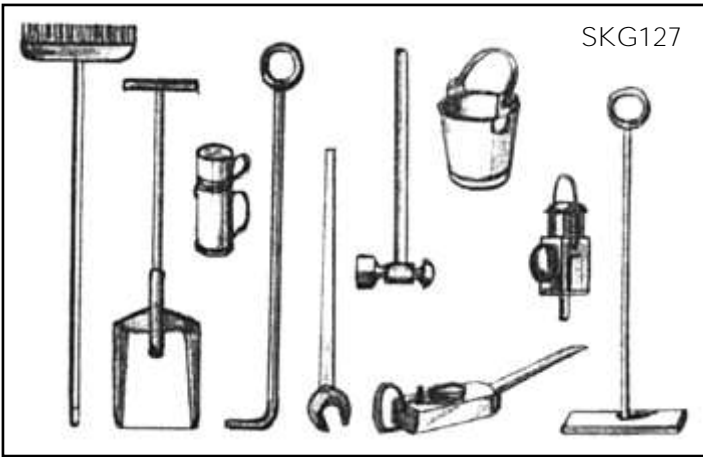
DG139 Loco leaf spring hangers



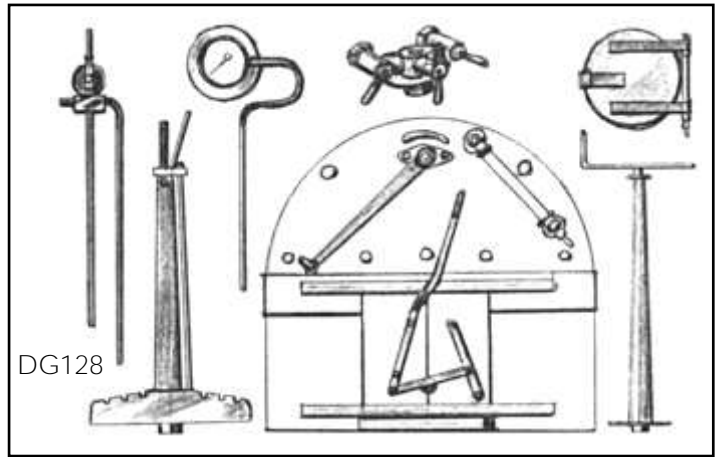
DG135

DG132

DG133/4



SKG127



DG128

SKG127 Loco detailing pack

DG128 Loco backplate detail

DG140 Loco lamps (pr.)

DG148 Loco chimney kit (13mm)

DG149 Loco chimney kit (10mm)

DG152 Loco tank filler hatches (pr.)

DG153 Loco cab steps (pr.)

DG158 European Loco lamps (pr.)

DG159 Sandbox, tapered, under footplate type (pr.)

DG160 Spectacle rings, 19mm dia. (4)

DG161 Spectacle rings, 21mm dia. (4)

DG163 Re-railing jacks (pr.)

DG164 Diesel bogie air brake cylinder set

DG165 Boiler check valves (pr.)

DG167 Ramsbottom safety valve and whistle

DG168 Ross Pop safety valve and whistle

DG169 Brake standard

DG171 Fairlie chimney

DG172 Spectacle rings, 25mm dia. (4)

DG173 Sandbox, square (pr.)

DG178 Westinghouse pump

DG179 Tank filler (pr.)

DG181 Turbo Generator

DG183 US Style headlamp (pr.)

DG184 Diesel body detailing kit

DG189 Handrail knobs (20)

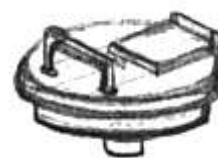
DG191 Spectacle rings, 21mm dia. With bars (4)



DG140



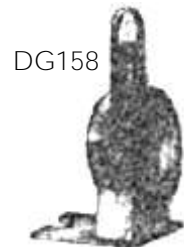
DG148/9



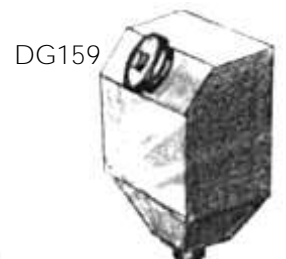
DG152



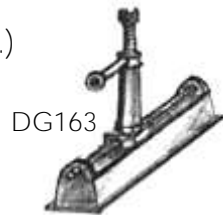
DG153



DG158



DG159



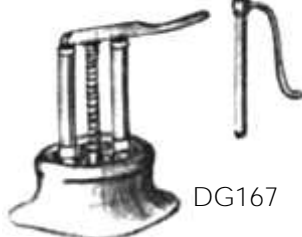
DG163



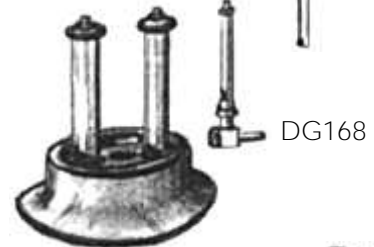
DG164



DG165



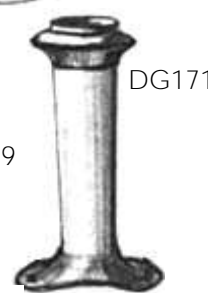
DG167



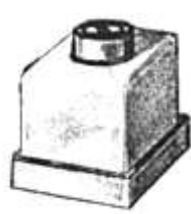
DG168



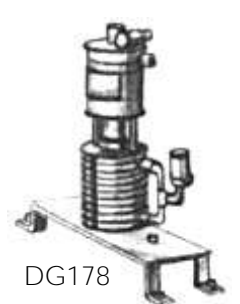
DG169



DG171



DG173



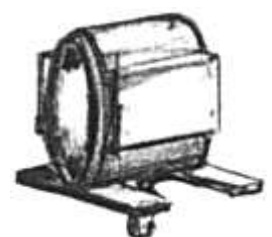
DG178



DG189



DG181



DG183



DG179

Rolling Stock Castings

DG121 Coach axleguards (4)

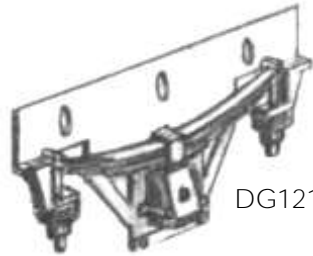
DG123 Wagon axleguards (4)

DG124 W&L Wagon axleguards (4)

DG131 Coach balcony railings (2 sets)

DG145 L&M Fox compensated bogie (24mm wheels)

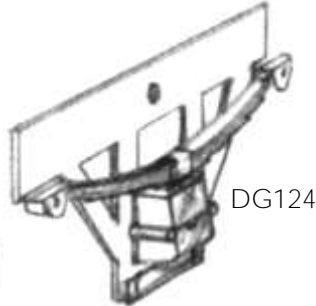
DG150 Brake wheels (pr.)



DG121



DG123



DG124



DG131



DG150



DG145

DG156 L&B Vacuum Cylinder kit

DG166 L&B 2-axle Wagon Chassis parts

DG170 L&B Freight Bogie (32 or 45 gauge)

DG175 L&M Coach balcony steps (4)

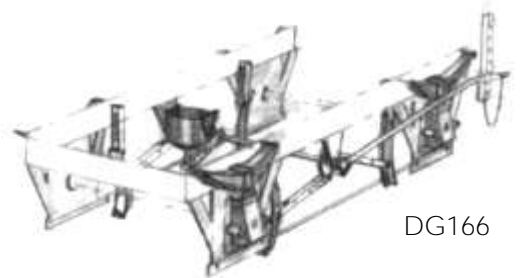
DG200 Underframe detail pack for Accucraft L&B Wagons (vac. Cylinder, linkage, brake pull rods, brake lever & shoes)

DG201 Battery box (pr)

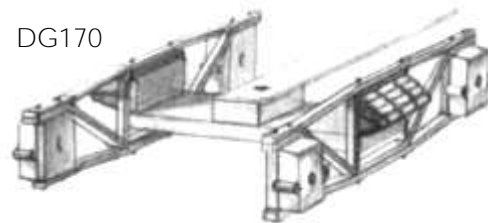
AM235 W&U Bogie (wheels extra)



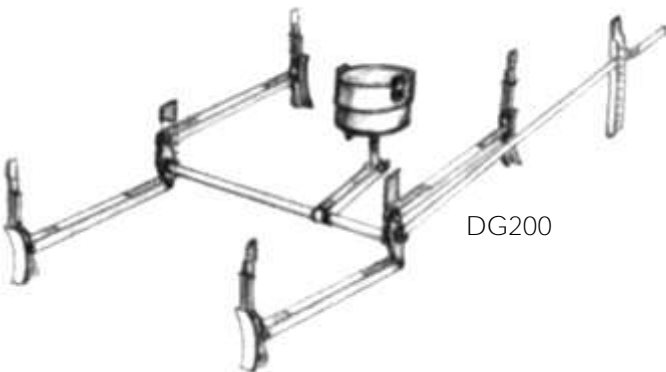
DG156



DG166



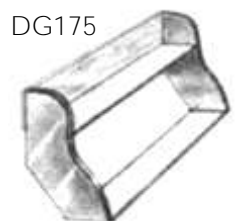
DG170



DG200



DG201



DG175



AM235

Brass Domes

FG007 Fairlie

FG011 Argyle



FG007

FG011

Roundhouse Brass Domes

RHDOM-BI Billy

RHDOM-R Russell

RHDOM-K Katie

RHDOM-SL Silver Lady

RHDOM-M Millie

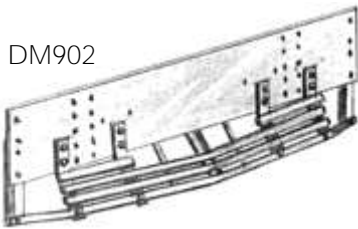
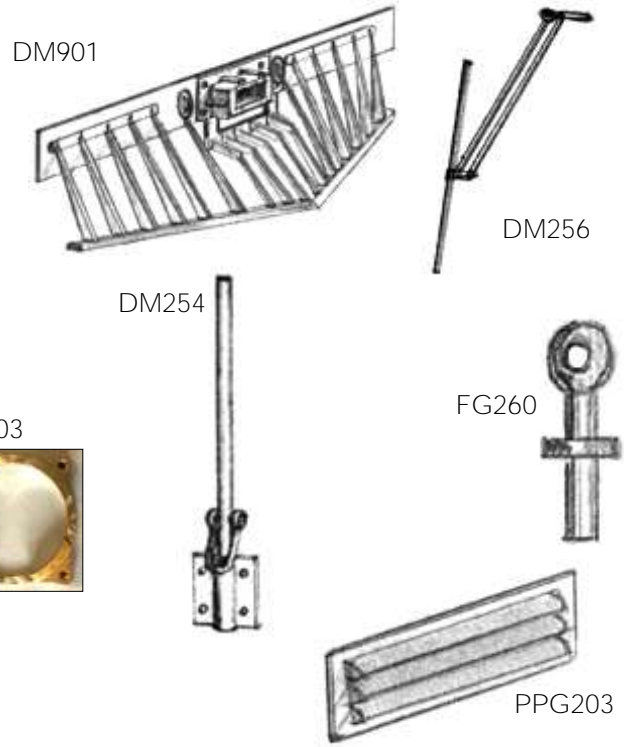
RHDOM-B Bertie

RHDOM-LA Lady Anne

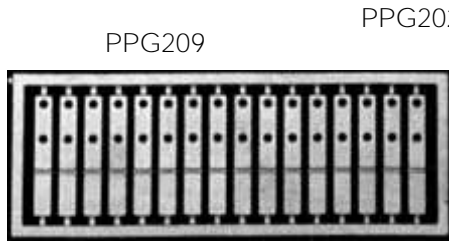
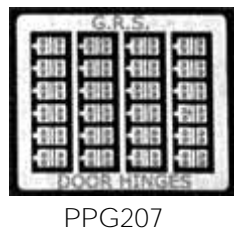
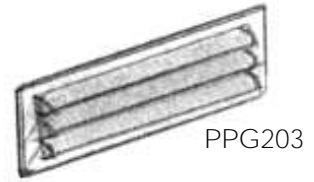
RHDOM-A Atlantic

Metal Parts

- DM254** Stanchion for Bogie bolster, cast brass (8)
- DM256** Railcar windscreen wipers, cast brass (pr.)
- DM901** LGB Mogul cow catcher, cast brass, 90x30mm
- DM902** L&B cow catcher, cast brass, 105x35mm
- TIE002** 24mm diameter Brass Brake Shoes (4)
- TIE003** 20mm diameter Brass Brake Shoes (4)



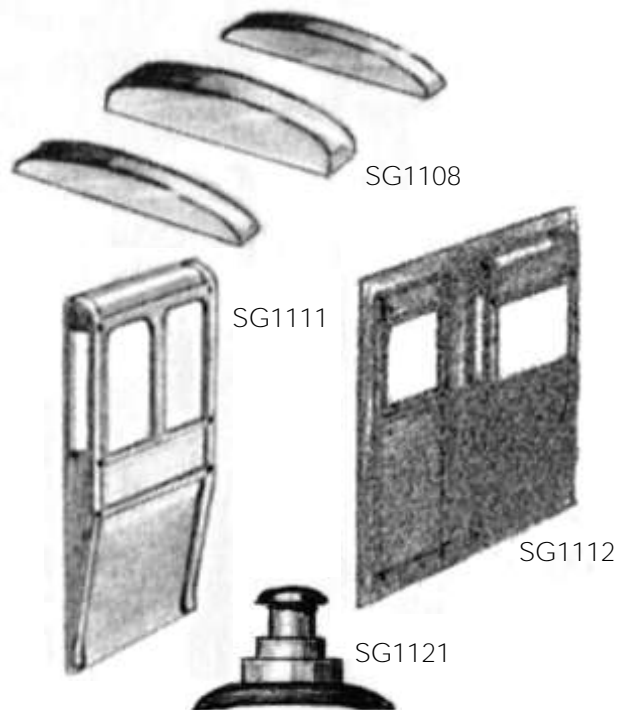
- FG260** Brass Handrail Knob, M2 threaded (10)
- PPG202** Diesel louvres, brass etch (4)
- PPG203** Coach door vents brass (14)
- PPG207** Door hinges for Diesel bonnets, coal doors, etc, brass etch (24)
- PPG209** Coach running board hangers, brass etch (16)
- PPG211** Coach balcony railing & gates (pr.)



Coach & Wagon Plastic Parts

As Used in GRS L&B Kits.

- SG1101** L&B Coach bogie kit 45mm or 32mm gauges
- SG1102** Coach shell ventilators (20)
- SG1103** Coach seating first class (pack of 6)
- SG1104** Coach seating third class (4 lengths)
- SG1106** Coach glazing 569 x 94mm (pr.)
- SG1108** Moulded roof support for fixing roof
- SG1109** Coach roof for L&B rolling stock (570x105mm)
- SG1110** Guards van double doors for passenger coach
- SG1111** Guards van duckets for passenger guards van
- SG1112** Guards van ducket and doors for goods stock
- SG1113** Observation panels, vacuum formed (set of 2)
- SG1117** Freight van roof, length 410mm. Width 110mm
- SG1121** Gas lamp tops (6)



SG1122 Running board hangers for coach stock 3 types (16)

SG1123 Open wagon strapping

SG1124 Van strapping

SG1126 Coach vacuum pipes, L&B style

SG1128 L&B Roof ventilators (pack of 6)

SG1129 Bogie rubbing plates and washers

SG1130 Wheel bearings for L&B coach bogie & similar (16)

SG1131 Coach end steps (8)

SG1132 Tarpaulin rail fittings (pr.)

SG1133 Tarpaulin rail (Steel Wire)

SG1134 Steel wire, straight, 18in lengths

SG1135 Steel Running Boards. Length 420mm (pr.)

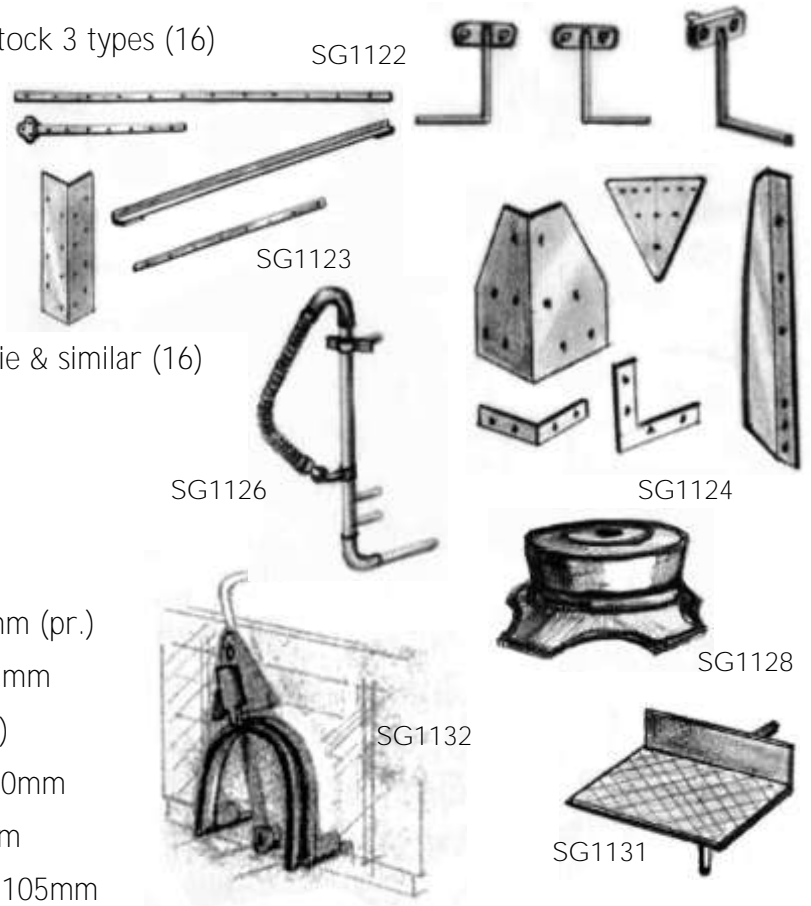
SG1136 W&L dome ended roof, length 535mm

SG1138 Coach glazing 965mm x 95mm (pr.)

SG1139 Coach dome ended roof, length 380mm

SG1151 Tri-arc coach roof 855mm x 105mm

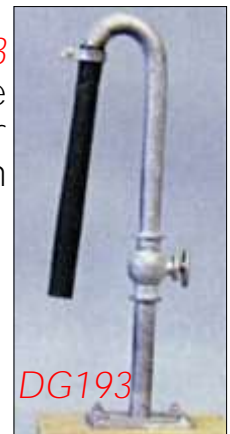
SG1152 C&M domed coach roof 590mm x 105mm



DG101 L&BYard Crane

A kit of whitemetal parts that form an authentic non-working model of the yard crane in Pilton Yard, Barnstaple. Chain and full instructions are included.

DG100 L&B Water Column
An easy to build kit in whitemetal to make an authentic model.



Loco Carrying Cases

Tough fibreboard foam-lined cases with strong, lockable catches, and comfortable carrying handles

NG101 26 x 9.5 x 7 ins.

NG103 19 x 9.5 x 7 ins.

NG112 36 x 5.5 x 6.75 ins.



Stonework

These items are not always in stock as sales are highly seasonal. Check www.grsuk.com for current stock levels. Production is generally made in Spring and Summer and orders can be taken in advance.



HG100

HG100 Stone Viaduct Unit

Height 190mm, Length 410mm.

HG101 Stone Column

Height 200mm, Length 75mm, Width 60mm.

LCG39 Std. Gauge Brick-faced Flagstone Platform

HG112 Stone Platform Unit

Height 25mm, Length 385mm, Width 175mm.



HG101



LCG39



HG112

Standard Gauge Platform Edging

Straight Length 450mm, Ramp 250mm

LCG35 Brick finish straight section

LCG36 Brick finish ramp section (pair)

LCG37 Stone finish straight section

LCG38 Stone finish ramp section (pair)



LCG35



LCG36



LCG37



LCG38



HG104



HG107

HG104 Stone Tunnel Mouth Height 280mm, Width 260mm, Portal Height 210mm, Portal Width 190mm.

HG107 Stone Wing Wall (Pair left & right) Height 280mm, Width 355mm.

LCG10 Slate Tunnel Mouth Height 330mm, Width 310mm, Portal Height 240mm, Portal Width 180mm.

LCG11 Double Slate Tunnel Mouth Height 317mm, Width 535mm, Portal Height 226mm, Portal Width 380mm.

LCG12 Slate Wing Wall (Pair left & right) Height 279mm, Width 356mm.



LCG10



LCG11



LCG12



LCG17



HG102



HG103



LCG18

HG102 Stone Parapet Walling

Height 55mm, Length 430mm.

HG103 Stone Embankment Walling

Height 280mm, Length 410mm.

LCG17 Small Retaining Walling

Height 60mm, Length 445mm.

LCG18 Large Retaining Walling

Height 300mm, Length 405mm.

HG105 Victorian Tunnel Mouth

Height 360mm, Width 430mm Portal Height 220mm, Portal Width 200mm.

LCG13 Humpback Bridge

Height 345mm, Width 535mm Portal Height 227mm, Portal Width 190mm.

LCG21 Humpback Bridge Spacer

Height 200mm, Width 175mm.



HG105



LCG13



LCG21



LCG14

LCG14

Viaduct Arch Section

Height 268mm, Width 450mm Portal Height 155mm, Portal Width 325mm.

LCG15

Viaduct Column Section

Height 300mm, Width Top 225mm, Width Bottom 275mm.

LCG16

Small Retaining Walling

Height 250mm, Depth Top 25mm, Depth Bottom 70mm Width 50mm.

LCG20

Elliptical Bridge Unit Span 750mm.



LCG15

LCG16



LCG20

Commercial Track-Work

GRS can offer proprietary track from several suppliers; -

In 45mm Gauge we can supply the full range of LGB items, usually from stock. Constructed from code 330 Brass flat-bottomed rail this track is robust, simple to lay, and will last for many years even in the most demanding situations.

The alternative Peco G45 system is also stocked in depth, although the range available is much more limited. Made from Code 250 Nickel-Silver rail the Peco G45 Track presents a slightly more delicate appearance which some will prefer, albeit needing slightly more support when laid in the Garden when compared to the code 330 versions. (NB it is possible to join Peco and code 330 systems via special Peco SL-912 joiners)

Naturally we also supply Joiners both plain and insulated for all systems, and also Massoth rail clamps, which are unique in allowing track to be uncoupled vertically, convenient when it comes time to maintain Points.

For 32mm we supply Peco SM32 track, which again is Nickel-Silver, although in code 200 size. There is a better range of points available for this from Peco, but still many gaps such as crossovers, which is where our handmade track comes to your aid. Please note that our range of 32mm points are now discontinued so check our website for availability.

Handmade Track-Work

GRS offer a range of hand made Trackwork in 32mm, 45mm, and 63.5mm gauges. Constructed in either Peco code 250 or LGB code 332 rail. The range of Points, in radii not offered by other manufacturers, gives our customers a greatly increased choice in determining their track layout. In addition items such as Slips, Y-Points, and buffer stops are also in the range.



IG110 45mm code 330 LGB rail



IG149 45mm code 250 Peco rail



IG150 32mm code 200 Peco rail

The track features hardwood sleepers, saturated in preservative, to which the rail is fixed using staples and solder. The resulting structure is strong, employs no non-conductive rail sections, i.e. frogs, and will give many years of trouble free service in the great British climate. Where 32mm items have to connect to code 200 rail, the flat bottomed 250 rail is slit at the end to accommodate the SL-810 Peco rail joiner and ensure that the rail head heights match.

GRS 32mm Track (Discontinued - check for availability)

32mm Buffer Stop (SM200 Rail)	IG150
G32 LH Point Rad 2ft (Code 250 Rail)	IG151
G32 RH Point Rad 2ft (Code 250 Rail)	IG152
G32 LH Point Rad 2ft 6in (Code 250 Rail)	IG153
G32 RH Point Rad 2ft 6in (Code 250 Rail)	IG154
G32 LH Point Rad 4ft (Code 250 Rail)	IG155
G32 RH Point Rad 4ft (Code 250 Rail)	IG156
G32 'Y' Point Rad 2ft (Code 250 Rail)	IG157
G32 'Y' Point Rad 2ft 6ins (Code 250 Rail)	IG158
G32 'Y' Point Rad 4ft (Code 250 Rail)	IG159



IG151

GRS 45mm Track

G45 LH Point Rad 6ft	IG100L
G45 Point RH Rad - 6ft	IG100R
G45 Point 'Y' Rad - 6ft	IG101
Track Gauge	IG108
G45 Buffer Stop	IG110
G45 LH Point Rad 8ft	IG121L
G45 RH Point Rad 8ft	IG121R
G45 LH Point Rad 2ft 6ins (LGB R2)	IG122L
G45 RH Point Rad 2ft 6in (LGB R2)	IG122R
45mm Buffer Stop (Code 250 Rail)	IG149
G45 LH Point Rad 2ft (Code 250 Rail)	IG160
G45 RH Point Rad 2FT (Code 250 Rail)	IG161
G45 LH Point Rad 2ft 6in (Code 250 Rail)	IG162
G45 RH Point Rad 2ft 6in (Code 250 Rail)	IG163
G45 LH Point Rad 4ft (Code 250 Rail)	IG164
G45 RH Point Rad 4ft (Code 250 Rail)	IG165
G45 'Y' Point Rad 2ft (Code 250 Rail)	IG166
G45 'Y' Point Rad 2ft 6ins (Code 250 Rail)	IG167
G45 'Y' Point Rad 4ft (Code 250 Rail)	IG168
G45 'Y' Point Rad 5ft (Code 250 Rail)	IG169



IG121R



IG164

GRS 63.5mm Track

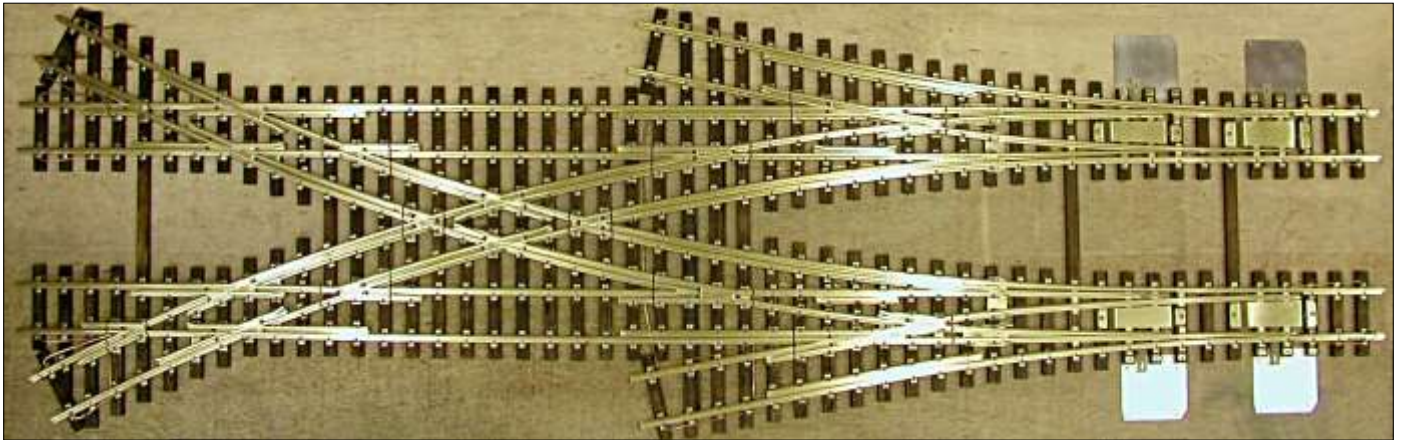
G64 LH Point Rad 8ft	IG1406L
G64 RH Point Rad 8ft	IG1406R
G64 'Y' Point	IG1407
G64 LH Point Rad 10ft	IG1408L
G64 RH Point Rad 10ft	IG1408R
G64 LH Point Rad 12ft	IG1410L
G64 RH Point Rad 12ft	IG1410R
G64 Sleeper Pack W/Joiners - 5yds	SG1400
G64 Sleeper Base - single	SG1400S
Brass Rail Code 330 - 1500mm	SG1402
G64 Buffer Stop Code 330	SG1404



IG1408R

Custom Track-Work

As well as our standard range of GRS track-work we can also make bespoke items for those difficult situations, Curved turnouts, Slips-double or single, Crossovers, in fact just about anything that is geometrically possible - see our website for full details or ring and ask us to give you a quote.



Other Track Accessories



IG123 Point Lever
Brass/Stainless Steel (or
IG123S Eleven for the
price of Ten)



TIE123 8mm Throw
Point Lever

Rail Bender Kits

IG112 LGB
IG113 Tenmille G
IG114 Peco G
IG115 Peco/Tenmille
32mm BH
IG116 Tenmille FB
(spare roller sets also
available)



TIE001 Lever Frame Kit



TIE004 Point Lever Kit
- 8mm Throw

Rail Clamps

8100151 50 x Rail
Clamps for LGB Track

8100176 10 x Rail
Clamps for LGB Track



Track Cleaning

FG403 Rubberised Abrasive Block

FG402 Metal head to hold 2 x FG403 (supplied)
with long Handle

FG401 Metal head to hold 2 x FG403 (supplied)
no handle



Aluminium Bridges



BC01 Single Track 45mm Gauge
3 ft x 4in x 8.25in



BC02 Single Track 32mm Gauge
3 ft x 4in x 7.5in



BC02-b Single Track 45mm Gauge -
Black
3 ft x 4in x 7.5in



BC03 Double Track 45mm Gauge
3 ft x 7in x 14in

VGSpecial 115cm Deck Truss Bridge -
Black

Signals

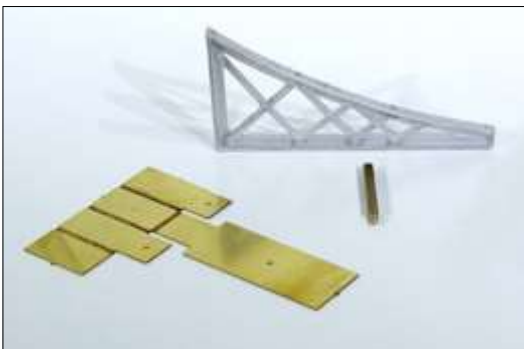
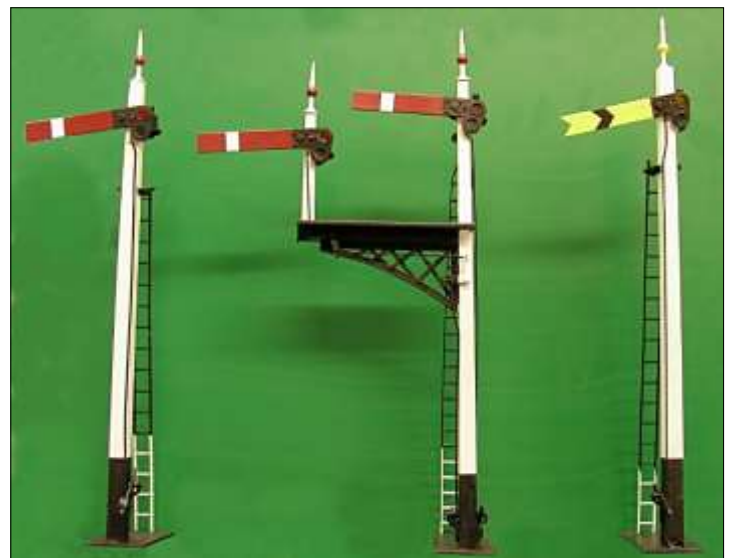
Lower Quadrant Signals - with
Wooden Post

Kits consist of Tapered wooden posts,
whitemetal castings, brass wire and
coloured plastic lenses. Easy and satisfying
to build and paint in a choice of three
versions.

DG965 Home Signal Kit

DG966 Distant Signal Kit

DG967 Bracket Signal Kit



Signal Parts for the scratch-builder.

PPG210 Post base

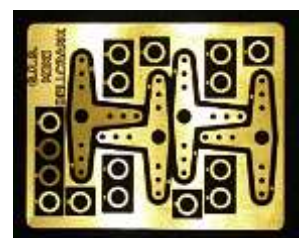
DG970 Bracket

FG234 Single hole stanchion

PPG206 4 x Bell cranks

DG969 3 x Finials

FG235 Etched Ladder (290mm)





SG1305
AA Box
Unpainted
resin kit

Street Furniture - High Quality Die-cast models of British Classics

PRO263 Type 6 Telephone Box, *POB01* 1866 Penfold Letter Box, *POB03* Town & Country Type C "GR" Letter Box, *POB07* Standard Type A "EVIR" Letter Box (Without Sign), *POB13* Standard Type A "GR" Letter Box (with Sign), *POB18* Standard Type A with Stamp Machine.



One piece cast resin Containers

CM201 Furniture Container *CM202* Detail pack for CM201 - Shackles, Hangers, Chains etc.
CM206 AF Insulated, 3ton *CM207* Detail pack for CM206 - Shackles, Hangers, Chains etc.

54 x 26in Styrene Sheet

High quality material for scratchbuilders of Locos, Rolling stock, or Buildings.

Available in Black or White and 7 different thicknesses'.

G712 54x26in x 20 thou (Approx. 0.5mm) *G713* 54x26in x 30 thou (Approx. 0.75mm)

G714 54x26in x 40 thou (Approx. 1.0mm) *G716* 54x26in x 60 thou (Approx. 1.5mm)

G718 54x26in x 80 thou (Approx. 2.0mm) *G720* 54x26in x 100 thou (Approx. 2.5mm)

G721 54x26in x 120 thou (Approx. 3.0mm)

Please see grsuk.com or ring GRS on 01844-345158 for the latest prices on all GRS stock.